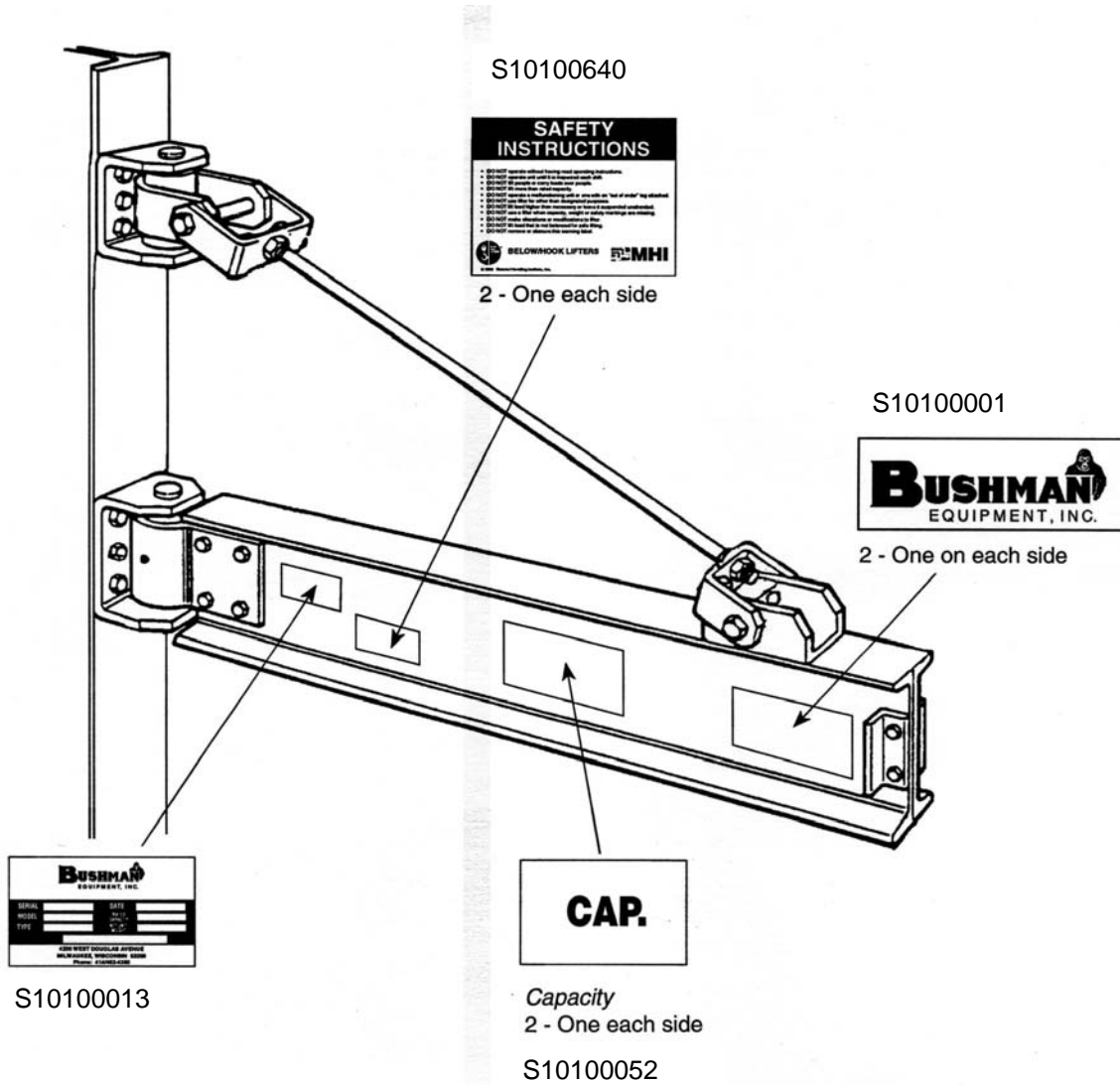


IDENTIFICATION AND SAFETY STANDARDS

JIB CRANE Model 481



All safety decals must be kept clean and legible and replaced when necessary. Call or send an email to Bushman Equipment to obtain free replacement decals.

Serial Number _____

Date _____

Customer _____