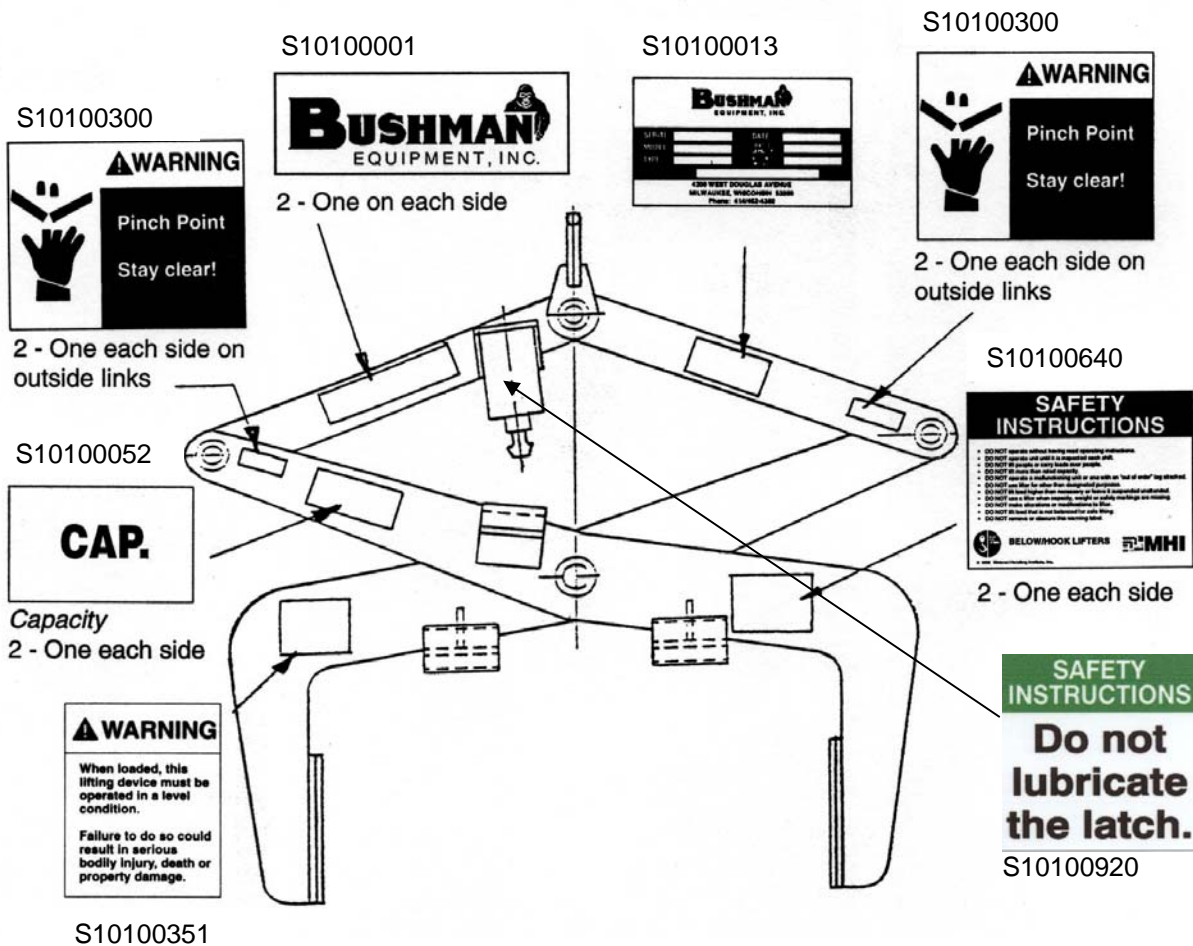


**IDENTIFICATION AND SAFETY STANDARDS**

**TONG GRAB 1000 Series**



All safety decals must be kept clean and legible and replaced when necessary. Call or send an email to Bushman Equipment to obtain free replacement decals.

Serial Number \_\_\_\_\_  
 Date \_\_\_\_\_  
 Customer \_\_\_\_\_

PO Box 309, Butler, WI 53007  
 800-338-7810; Fax 262-790-4202  
[www.Bushman.com](http://www.Bushman.com)  
 custinfo@bushman.com