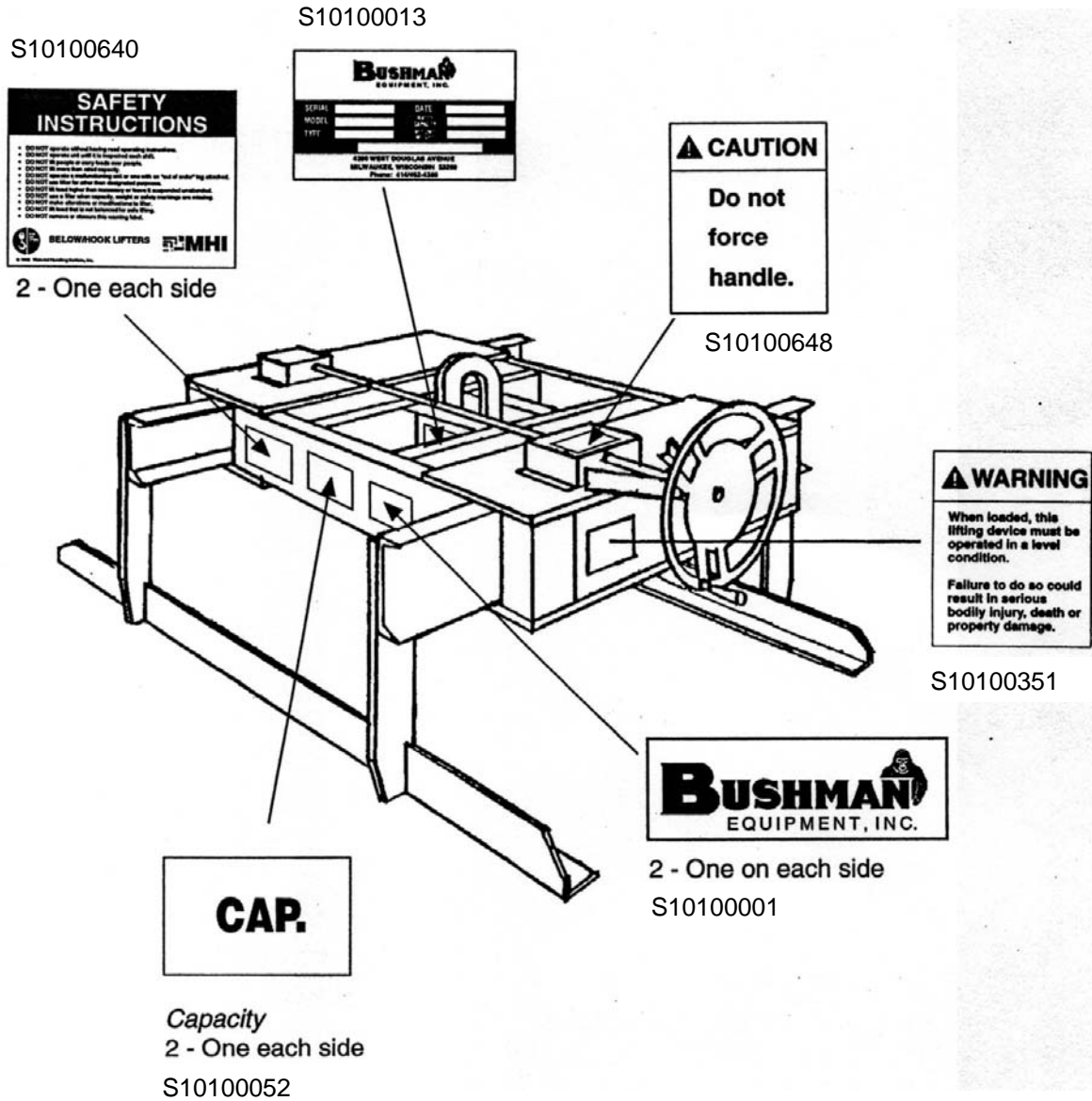


IDENTIFICATION AND SAFETY STANDARDS

SHEET LIFTER Model 5500/5600



All safety decals must be kept clean and legible and replaced when necessary. Call or send an email to Bushman Equipment to obtain free replacement decals.

Serial Number _____
Date _____
Customer _____

PO Box 309, Butler, WI 53007
800-338-7810; Fax 262-790-4202
www.BushmanAvonTec.com
custinfo@bushman.com

PO Box 30: