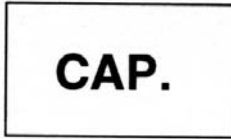


### DRUM TILTER Model 700

S10100052



Capacity  
2 - One each side

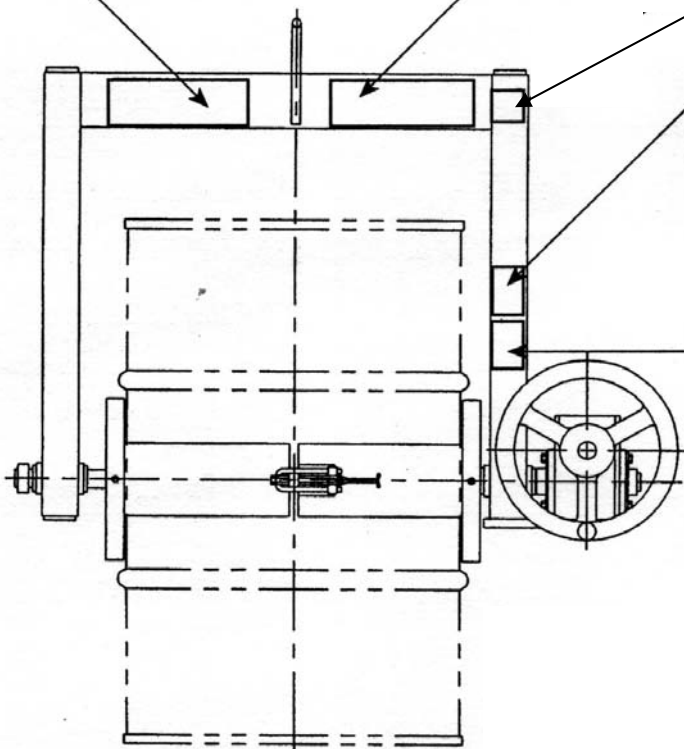
S10100001



2 - One on each side



S10100013



S10100640



2 - One each side

**CAUTION**

**Do not  
force  
handle.**

S10100648

All safety decals must be kept clean and legible and replaced when necessary. Call or send an email to Bushman Equipment to obtain free replacement decals.

Serial Number \_\_\_\_\_

Date \_\_\_\_\_

Customer \_\_\_\_\_

PO Box 309, Butler, WI 53007  
800-338-7810; Fax 262-790-4202  
[www.Bushman.com](http://www.Bushman.com)  
custinfo@bushman.com