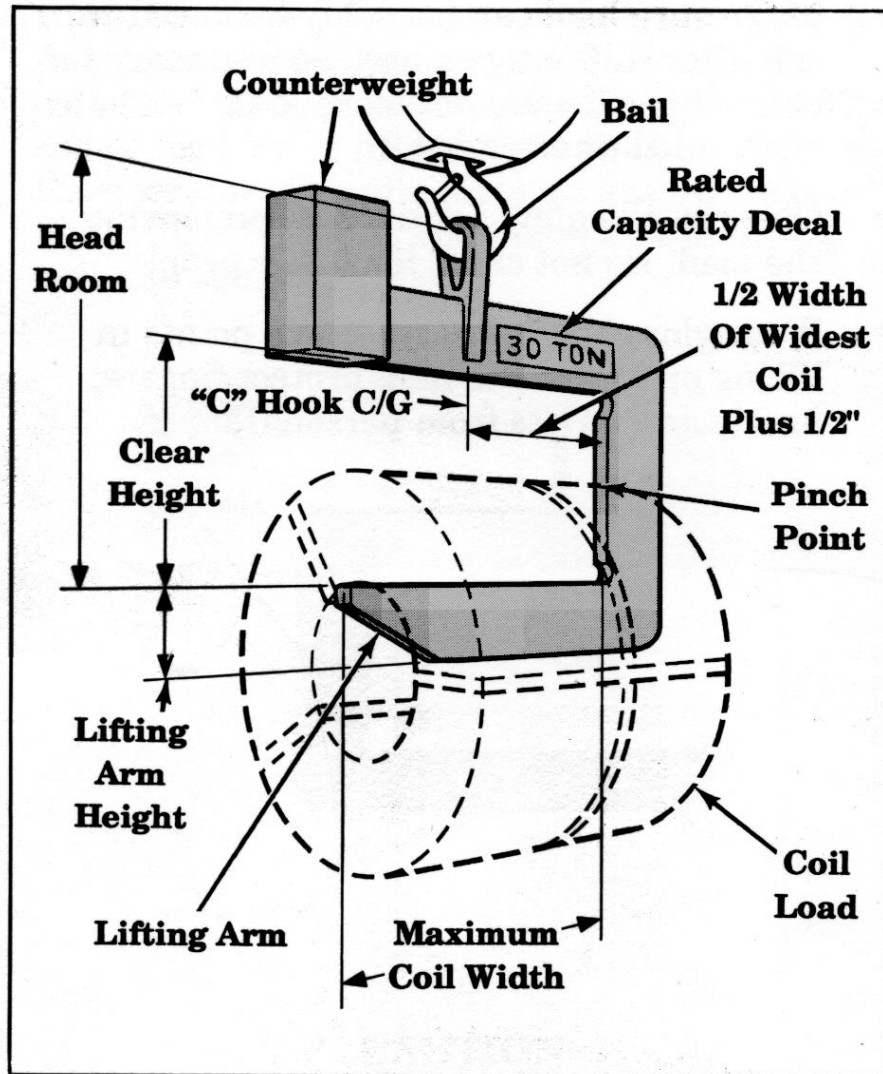


## C-HOOK OPERATOR SAFETY MANUAL



## OPERATING INSTRUCTIONS

### Before lifting:

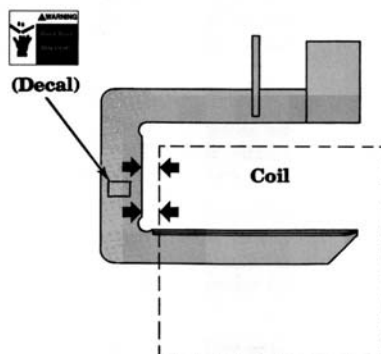
- Inspect the unit to be sure it is in safe operating condition before each shift. Be sure all capacity, weight and safety markings are in place and legible.
- Use lifter only for its designated purpose and within its rated capacity. Do not lift people.
- Make sure load can be safely balanced on the lifter.
- Lift only as high as necessary to clear obstacles.
- Do not leave load suspended when unattended.
- Observe all safety cautions when moving the load. Do not carry load over people.
- Wear gloves and observe pinch points in lifting operations to help protect fingers, hands and wrists from personal injury.
- This lifting device has been designed based on a temperature between 25 degrees and 125 degrees Fahrenheit. When the temperature of the device is outside of these limits, additional design considerations may be required. Please contact Bushman Equipment for further information.

## MARKINGS

The capacity of each block is labeled on each side of the upper lift arm and also on the identification plate on the rear of the counter-weight. A place to register this number is provided on the back cover. This maximum load capacity must be observed at all times to prevent accidents to personnel or equipment. The live load plus the weight of the lifter cannot exceed the rated capacity of the crane.

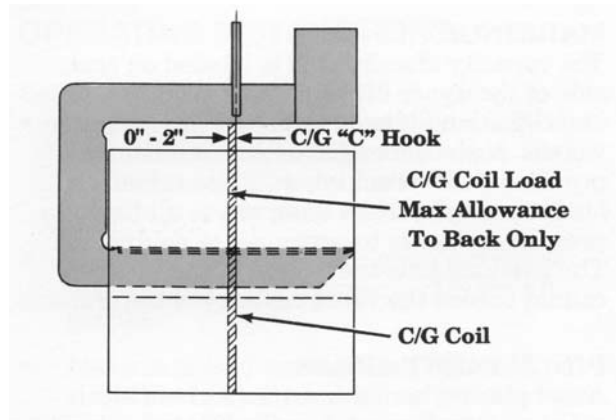
## PINCH POINT AREAS

Avoid placing hands or arms in areas indicated as “pinch points” on the lifting hook. The coil or load being lifted might shift and injure the operator. The pinch points are inside the back of the C-hook and between the lifting bail and the crane hook.



### CAUTION

Keep fingers, hands and arms away from pinch points. Pinch points can cause personal injury.



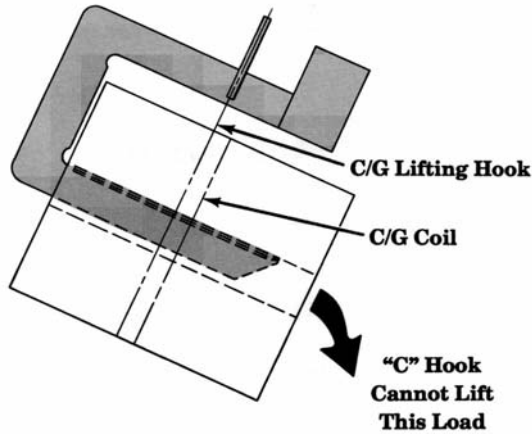
### LIFTING

The lifting bail on the C-hook is at the C/G (center of gravity) of the hook so the hook will hang level without a load.

When ready to load, insert the lifting arm of the C-hook into the eye (inside diameter) of the coil. Slowly raise the C-hook until it engages the lifting surface of the coil.

With the coil loaded, the C/G of the coil will coincide with the centerline of the bail and the load will be level when lifted.

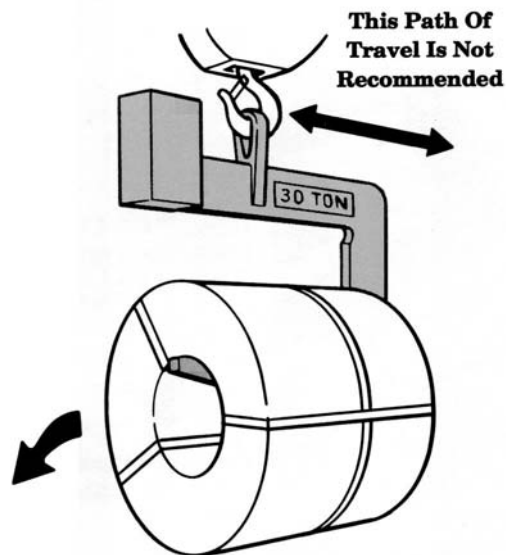
The C/G of the coil will vary up to 2-inches towards the rear of the hook, but wider coils with the C/G ahead of the bail's C/G cannot be lifted.



With the coil or load correctly positioned on the C-hook, make a preliminary lift of a few inches to determine if the load is balanced.

**CAUTION: Keep feet and hands from under the load in case it drops.**

Continue the lift when it is determined to be safe. If there is any concern about the safety of the lift, discontinue until all necessary corrections are made. Do not lift the load higher than necessary to avoid obstacles or to stack. Stay out from under the load, and make sure other people stay out from under the load.

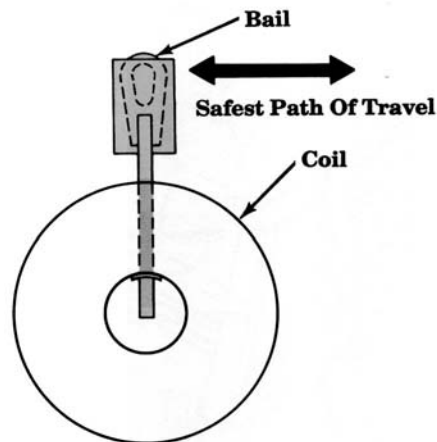


## TRAVELING

Before moving a load, be sure the path of the load is clear of obstructions and personnel. Take instructions only from the person designated to give signals.

## WARNING

Do not operate C-hook with load C/G beyond the C/G limits of the lifter or with coils wider than designated maximum width. C/G limits are approximately 2 inches toward the back of the hook, but zero inches toward the opening. If the load C/G is ahead, the C-hook may tilt and the load slide off causing personal injury or property damage.



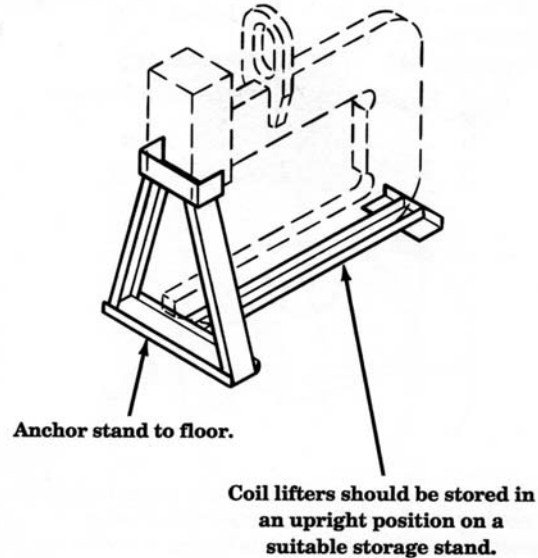
Make sure everyone is in a safe place before moving the load. Do not move loads over people and do not let loads bump or catch on any obstruction. Injury and damage could result.

Keep the load level. Avoid sudden starts and stops that may cause the load to swing in a pendulum effect and strike a person or an object.

Whenever possible, align the C-hook perpendicular to the path of travel before attempting to move the load. This will prevent the coil from sliding off the C-hook in case of a sudden stop. Always stay alert and maintain free access in the path of travel.

## CAUTION

**Do not ride on or allow riders on lifters.**

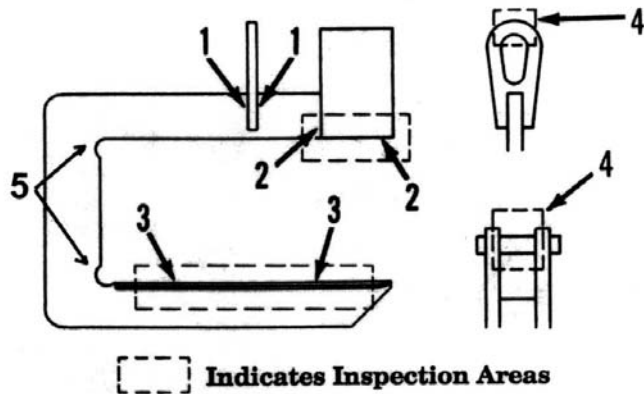


## **STORAGE STAND**

C-hooks are big and heavy and can cause personal injury or property damage if they fall over. Each C-hook should have a stand designed for its specific size and weight. When not in use, store the C-hook on its specific stand.

### **CAUTION**

When placing a C-hook on its stand, keep hands and feet clear of possible pinch points between the hook and stand to prevent personal injury.



### CRITICAL INSPECTION AREAS

1. **Bail connection to C-hook**
2. **Counterweight to C-hook**
3. **Saddle to C-hook**
4. **Wear points on typical bails**
5. **Fatigue cracks**

Safe operating practices require scheduled inspection procedures to ensure that the C-hook is maintained in a safe operating condition.

Every three months, the C-hook should be visually inspected for cracked welds and fatigue cracks in the areas indicated. An individual record of inspections and repairs should be maintained for each lifter.

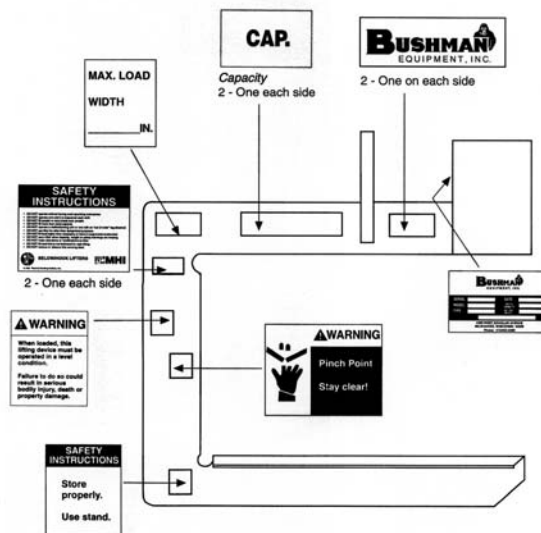
Remove from service C-hooks with any visually cracked welds.

C-hooks are furnished with various types of bails. Inspect the bail for wear, and repair or replace if the load-bearing section shows wear in excess of 20% of the original section. See certified drawing for original bail material.

## SAFETY DECALS

All safety decals must be installed, kept clean and legible and replaced as necessary. Replacements may be secured from Bushman Equipment. The key below indicates the proper location for each of the safety and identification decals shown on the right.

Name	# Required
PLATE Identification Plate	1
DECAL Maximum Load Width 2	
DECAL MHI Safety Instructions	2
DECAL Capacity	2
DECAL Bushman logo	2
DECAL Warning – Pinch Point	2
DECAL Safety Instructions. Use stand.	2
DECAL Warning. When loaded C-hook must be operated in a level condition.	1



### WARNING

Lifting hooks should be used only by qualified operators and trained helpers. It is the responsibility of the lift operator to read and understand this Operator Safety Manual and other information provided and use correct operating procedures. Failure to do so can result in personal injury, death or property damage.





W133 N4960 CAMPBELL DR.  
 MENOMONEE FALLS, WI 53051  
 PH: 262-790-4200  
 FAX 262-790-4202

<b>BUSHMAN</b> EQUIPMENT, INC.	
SERIAL _____ MODEL _____ TYPE _____	DATE _____ RATED CAPACITY _____ WEIGHT _____
4200 WEST DOUGLAS AVENUE MILWAUKEE, WISCONSIN 53208 Phone: 414/682-4388	

**RATED CAPACITY**

<b>RECORD OF INSPECTION AND TRAINING</b>		
<b>Date</b>	<b>Inspector's Initials</b>	<b>Operator Comments</b>

Inspection and training should be performed and documented on an annual basis. Contact Bushman for free copies of log for continuing record.