

**ROTATING AXIS GRAB Model 2305**

NOTE: High voltage warnings will appear on covers of electrical enclosures and junction boxes when motor controls are furnished.



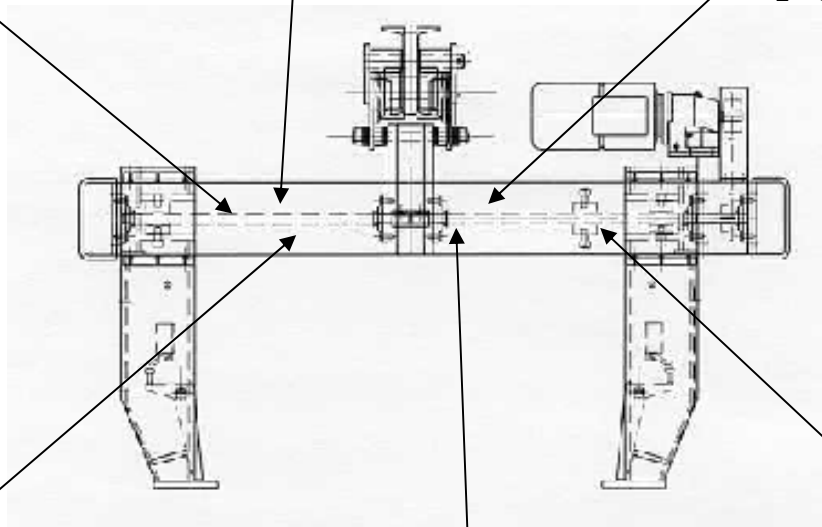
S10100001  
2 – One on each side



S10100013



S10100640  
2 – One on each side



S10100843



S10100052  
2 – One on each side



S10100649



S10100351

All safety decals must be kept clean and legible and replaced when necessary. Call or send an email to Bushman Equipment to obtain free replacement decals.

Serial Number \_\_\_\_\_  
 Date \_\_\_\_\_  
 Customer \_\_\_\_\_